

NEW !

 **JOURDAIN**



Made in
France

WORLD LEADER IN CATTLE TUBULAR

«COWFLEX»

PATENT N° 1456307

THE PERFECT BALANCE BETWEEN STEEL AND PEHD

The Cowflex freestall brings more comfort on the contact area (animal/freestall) thanks to its PEHD covered metallic lower part with 3 pivot points.

Join us on
You Tube,
type Cowflex



STEEL STRUCTURE FOR A MOUNTING ON BLS/BLD TREFLE POST

- The sturdy metallic frame keeps the cow straight in the freestall.
- The animal cannot turn around which avoids soiling the front of the bedding.
- Less work to keep the cows clean compared to a flexible freestall.
- The flange-webbing guide (thickness 5 mm) rigidifies the freestall; the webbing provides a comfortable contact at the withers.

ERGONOMIC DEFORMABLE CURVE



www.jourdain.fr

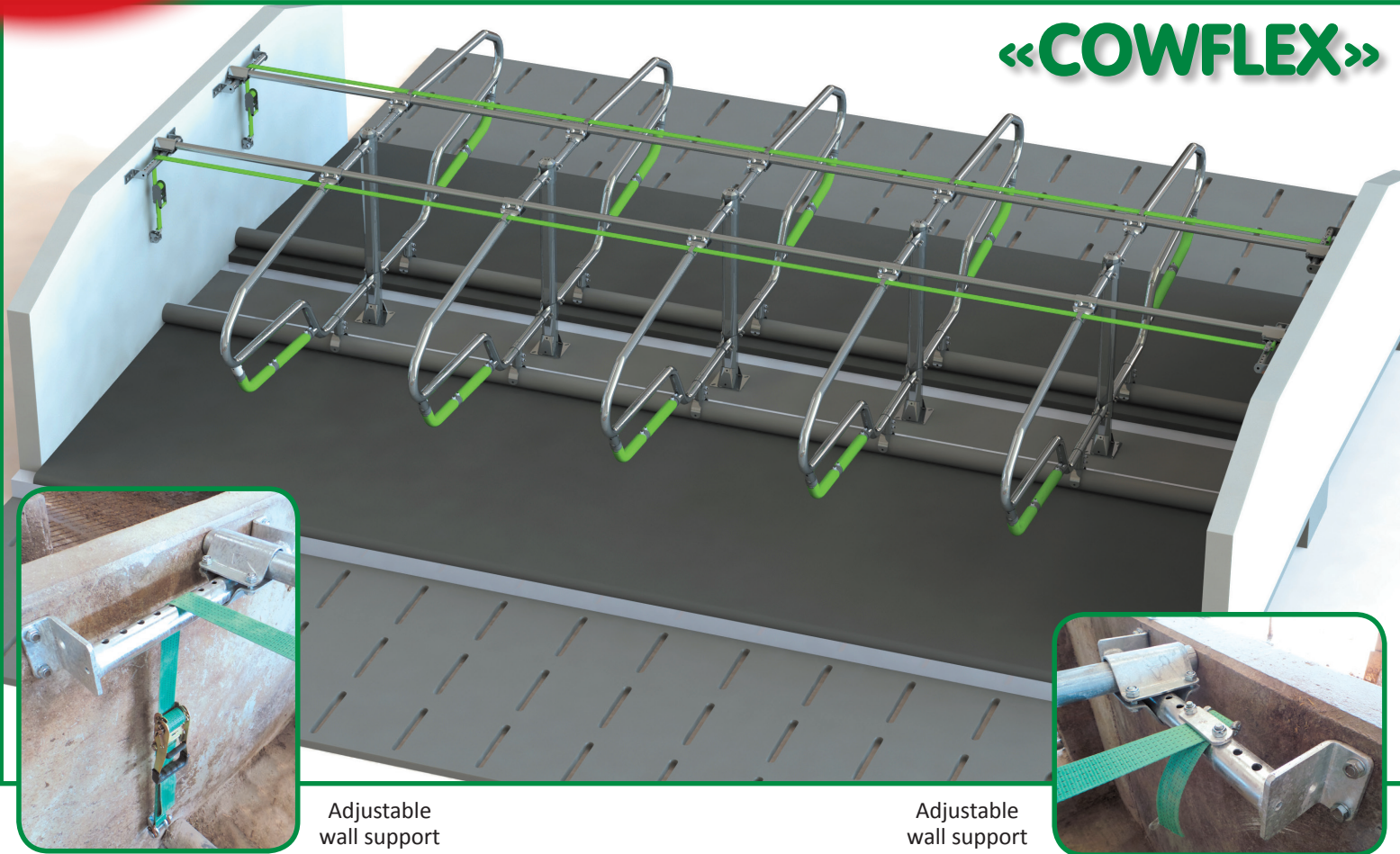
NEW !



Made in France

WORLD LEADER IN CATTLE TUBULAR

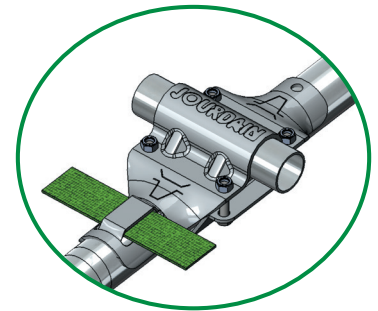
«COWFLEX»



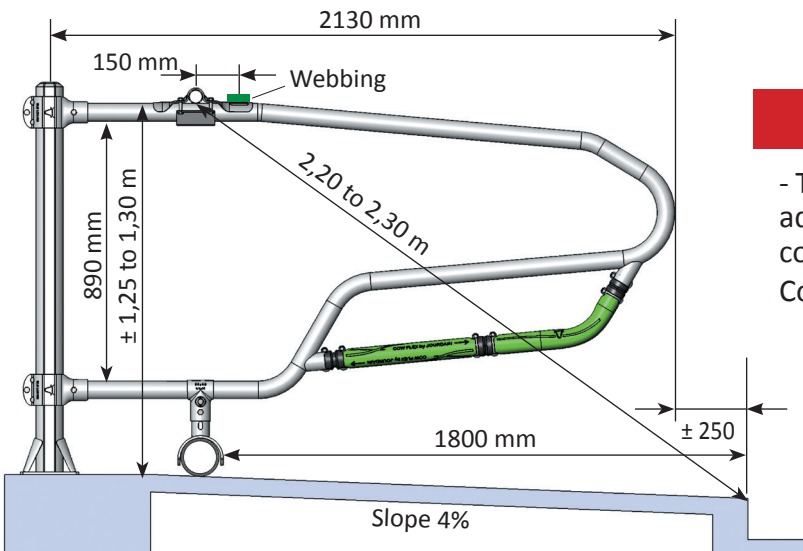
Adjustable wall support

Adjustable wall support

- | | | |
|---------------|---|--------|
| LO3208 | Freestall pin type «Cowflex» plain 2,08 m | 26 kg |
| LO9932 | Flange-webbing guide 60/49 thickness 5 mm | 2,6 kg |
| LO9933 | Adjustable wall support
(1 top rail cross clamp and 1 webbing tightening plate are included) | 5,2 kg |
| LO9934 | Woven webbing 50 mm (100 m roll) | 8,5 kg |
| LO9935 | Webbing pawl | 1,5 kg |
| FE2117 | Multifix bracket (the pair) | 1,2 kg |



Flange-Webbing guide (thickness 5 mm)



Cowflex Mounting BLS (installation type Texane)

COMFORT OF ITS PEHD ERGONOMIC CURVE

- The PEHD covered galvanized metallic curve deforms to adapt to the position of the cow while lying down then, it comes back to its original form thanks to the 3 ball joints Cowflex.

